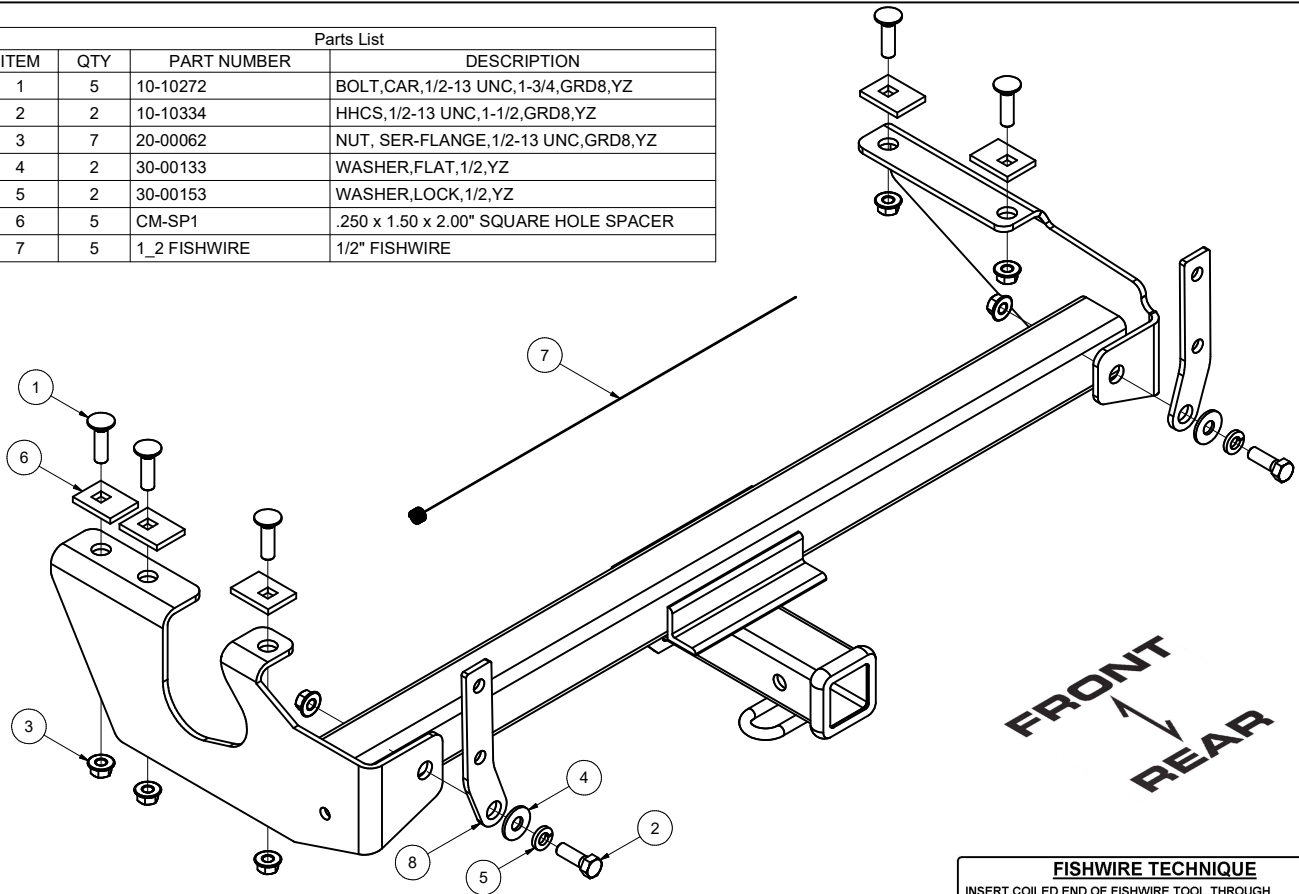


13041 78-97 DODGE FULL SIZE VAN (not w/ factory step bumper)

09/14/2020

GROSS LOAD CAPACITY WHEN USED AS A WEIGHT CARRYING HITCH: 6,000 LBS. TRAILER WEIGHT & 600 LBS. TONGUE WEIGHT.
 GROSS LOAD CAPACITY WHEN USED AS A WEIGHT DISTRIBUTION HITCH: 10,000 LBS. TRAILER WEIGHT & 1,000 LBS. TONGUE WEIGHT
*****DO NOT EXCEED VEHICLE MANUFACTURER'S RECOMMENDED TOWING CAPACITY.*****

Parts List				
ITEM	QTY	PART NUMBER	DESCRIPTION	
1	5	10-10272	BOLT,CAR,1/2-13 UNC, 1-3/4,GRD8,YZ	
2	2	10-10334	HHCS,1/2-13 UNC, 1-1/2,GRD8,YZ	
3	7	20-00062	NUT, SER-FLANGE,1/2-13 UNC,GRD8,YZ	
4	2	30-00133	WASHER,FLAT,1/2,YZ	
5	2	30-00153	WASHER,LOCK,1/2,YZ	
6	5	CM-SP1	.250 x 1.50 x 2.00" SQUARE HOLE SPACER	
7	5	1_2 FISHWIRE	1/2" FISHWIRE	



HITCH WEIGHT: 46 LBS.
 INSTALL TIME: 30 MINUTES
 INSTALL NOTES:
 - NO DRILLING REQUIRED

FISHWIRE TECHNIQUE

INSERT COILED END OF FISHWIRE TOOL THROUGH HITCH MOUNTING HOLE IN VEHICLE FRAME RAIL AND OUT THE ACCESS HOLE. PASS COILED END OF FISHWIRE THROUGH SPACER AND THREAD BOLT INTO COIL. KINK WIRE TO KEEP SPACER SEPERATE FROM BOLT AS SHOWN. PULL FISHWIRE, SPACER, AND BOLT THROUGH FRAME AND OUT MOUNTING HOLE. USE FISHWIRE TO GUIDE HITCH DURING MOUNTING AND PREVENT LOSS OF BOLT / SPACER INSIDE FRAME RAIL.

NOTE: SOME VEHICLES MAY FISHWIRE THROUGH END OF FRAME

INSTALLATION STEPS

Note: Will not fit on vehicles with factory step bumper.

- 1) Locate mounting holes and the 1 1/4" x 2" access hole in bottom of each frame rail. Fishwire the carriage bolts and spacers up through the access hole and down into the holes in the frame.
- 2) If the vehicle has a heat shield remove one screw from the bottom of the frame rail so the bracket will sit flat on the bottom of the frame.
- 3) Raise hitch into position.
- 4) Torque all 1/2" fasteners to 110 lb-ft.
- 5) 1993 and prior models install bumper with existing bumper attachment hardware.

PERIODICALLY CHECK THIS RECEIVER HITCH TO ENSURE THAT ALL FASTENERS ARE TIGHT AND THAT ALL STRUCTURAL COMPONENTS ARE SOUND.

Curt Manufacturing Inc., warrants this product to be free of defects in material and/or workmanship at the time of retail purchase by the original purchaser. If the product is found to be defective, Curt Manufacturing Inc., may repair or replace the product, at their option, when the product is returned, prepaid, with proof of purchase. Alteration to, misuse of, or improper installation of this product voids the warranty. Curt Manufacturing Inc.'s liability is limited to repair or replacement of products found to be defective, and specifically excludes liability for incidental or consequential loss or damage.